

8

7

6

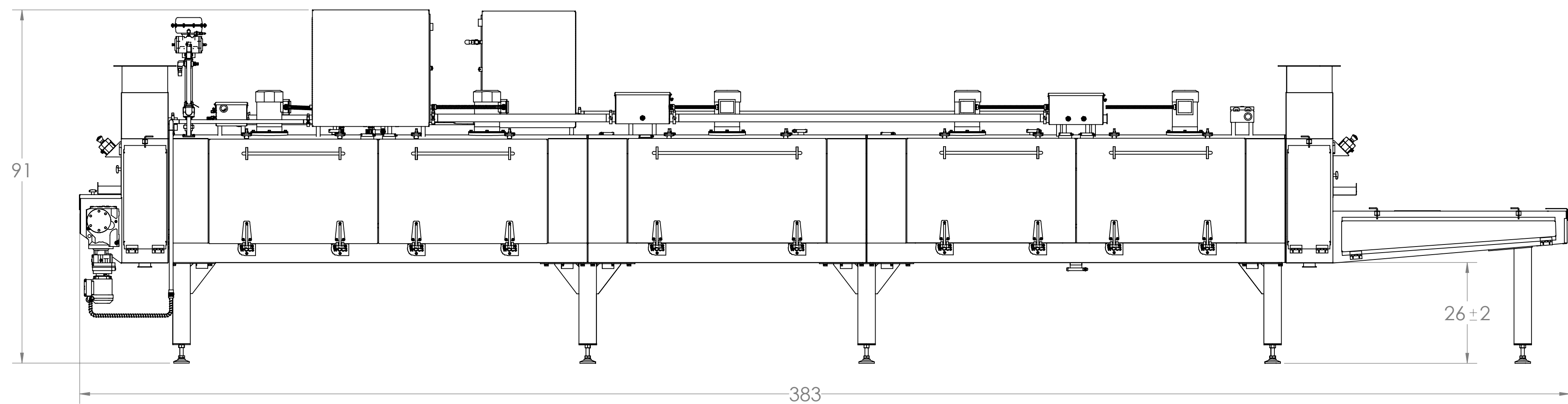
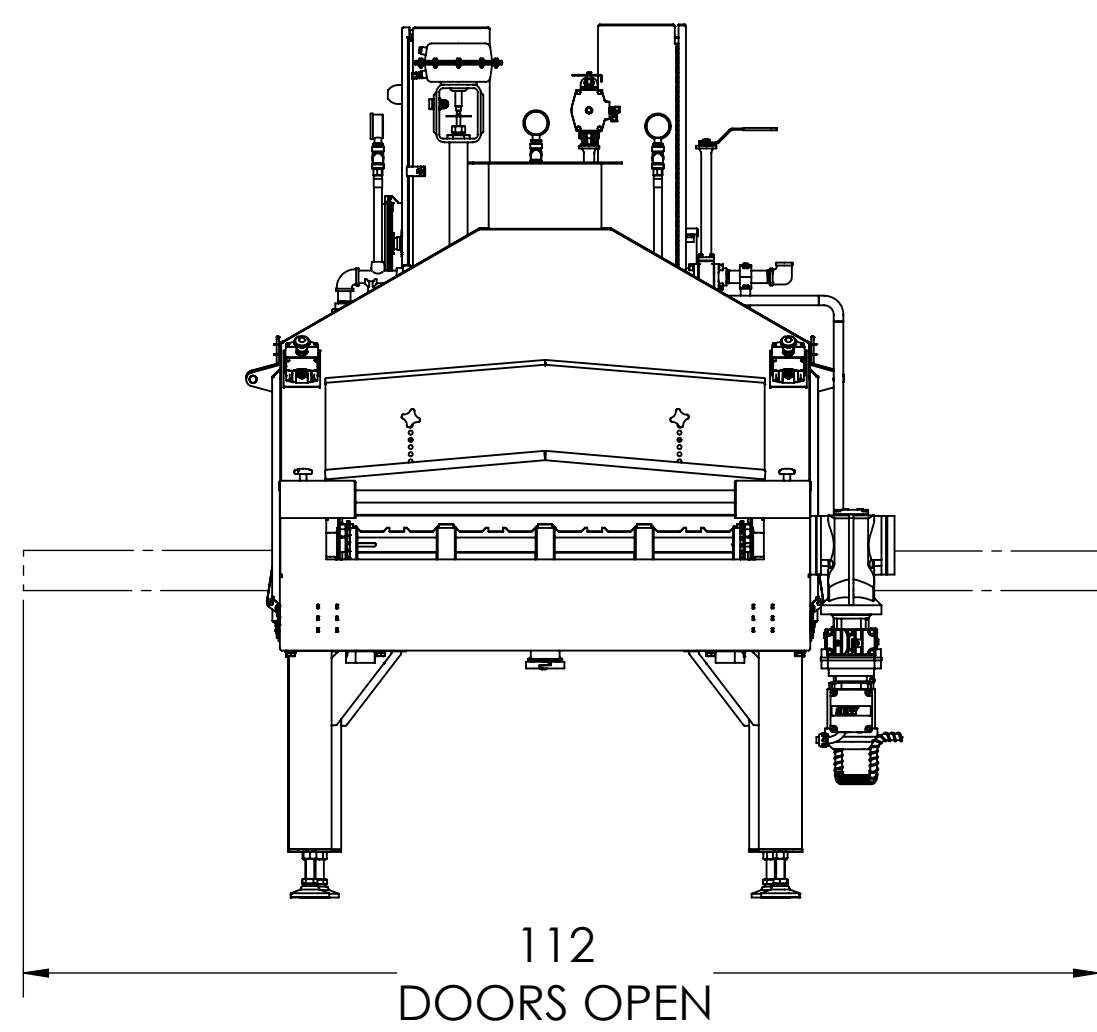
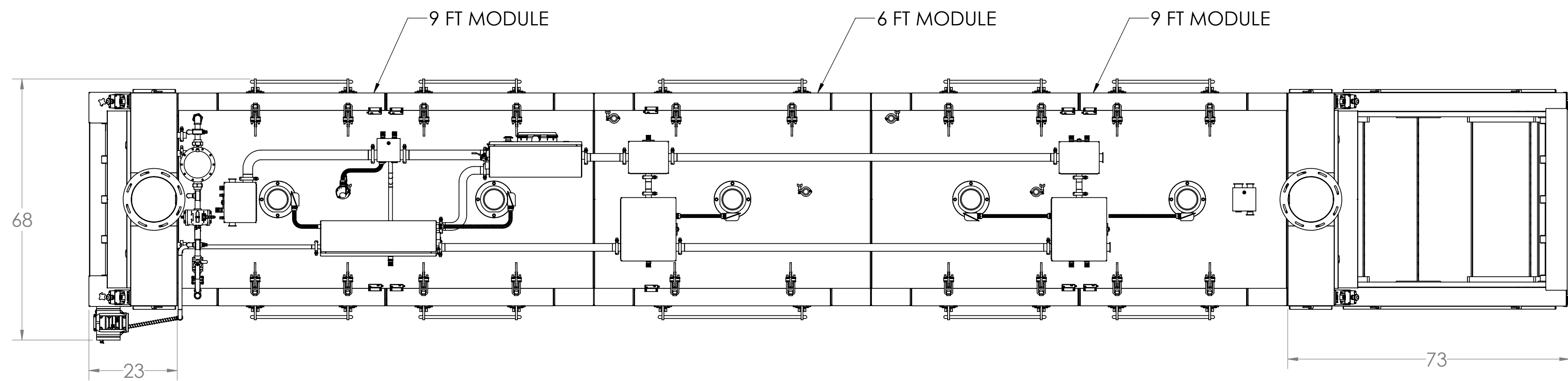
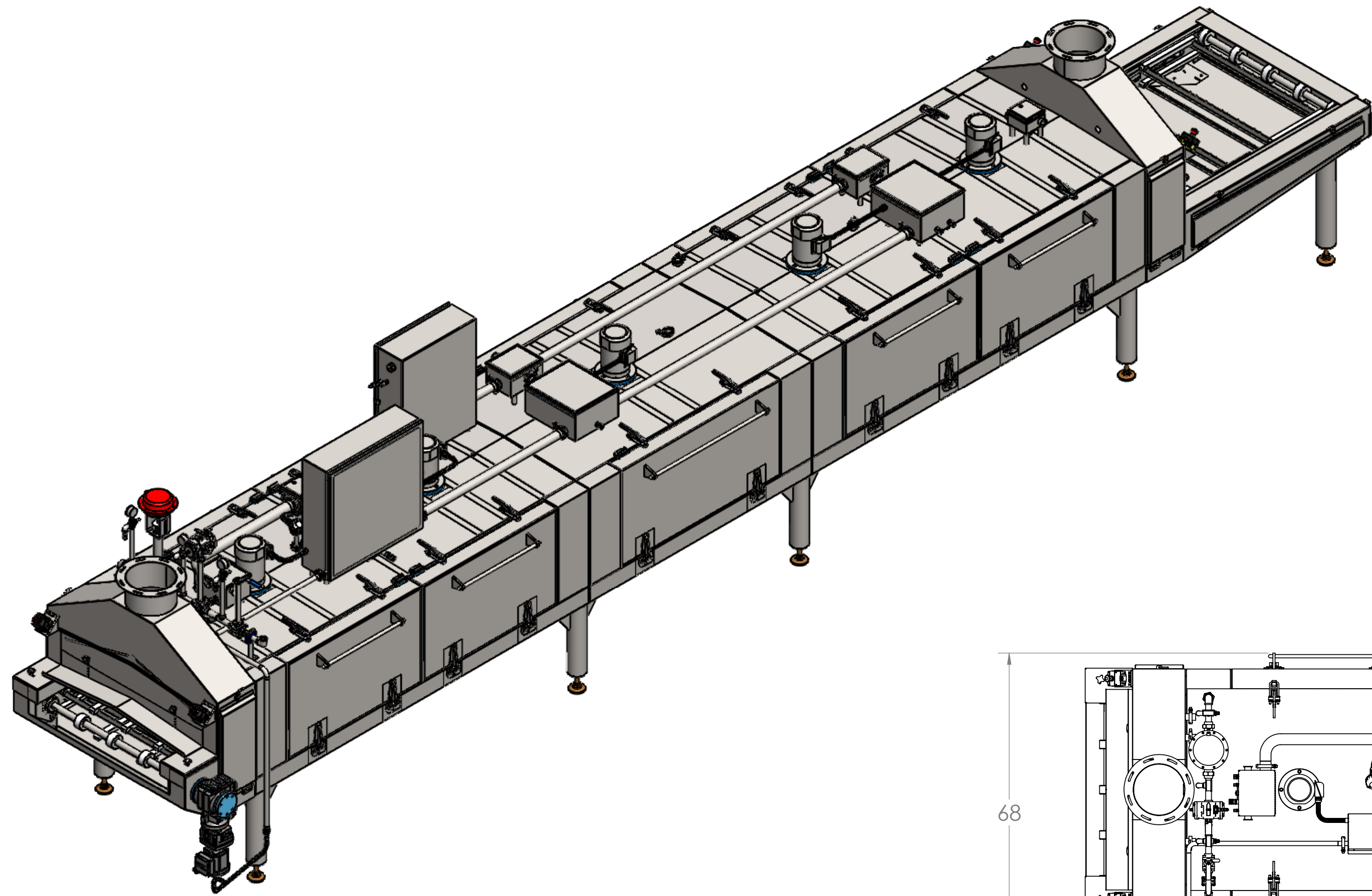
5

4

3

2

1



PROPRIETARY AND CONFIDENTIAL

THE INFORMATION CONTAINED IN THIS DRAWING IS THE SOLE PROPERTY OF WEST COAST CRYOGENIC SERVICES, INC. ANY REPRODUCTION IN PART OR AS A WHOLE WITHOUT THE WRITTEN PERMISSION OF WEST COAST CRYOGENIC SERVICES, INC. IS PROHIBITED.

UNLESS OTHERWISE SPECIFIED: DIMENSIONS ARE IN INCHES

TOLERANCES:
 FRACTIONAL ± 1/32"
 ANGULAR ± 0°, 30"
 X ± .030"
 .XX ± .015"
 .XXX ± .010"

MATERIAL:

FINISH:

QUANTITY:

DO NOT SCALE DRAWING

24 FT TUNNEL, 42 IN. BELT



WEST COAST CRYOGENIC SERVICES, INC.
 503 W. LARCH RD, STE. K
 TRACY, CA 95304
 1-800-657-0545

DWG NO.

DRAWN

JOB NUMBER

WEIGHT: (LBS)

TF-40-24N-1-1M2-1M4

P.VANCAS

02/04/20

SCALE: 1:20

CUSTOMER

REV 1 SIZE D

SHEET 1 OF 1

8

7

6

5

4

3

2

1