

8

7

6

5

4

3

2

1

D

D

C

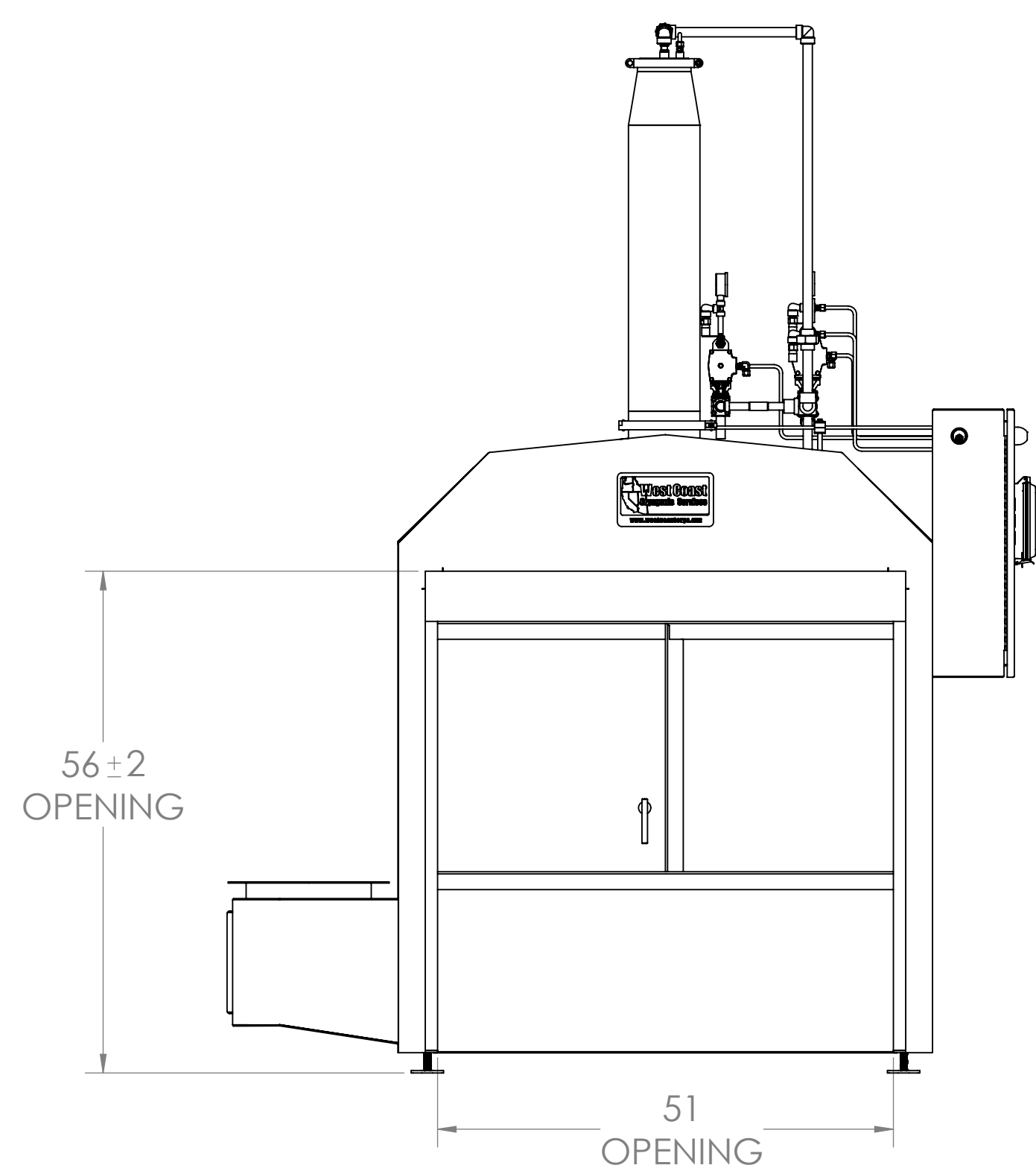
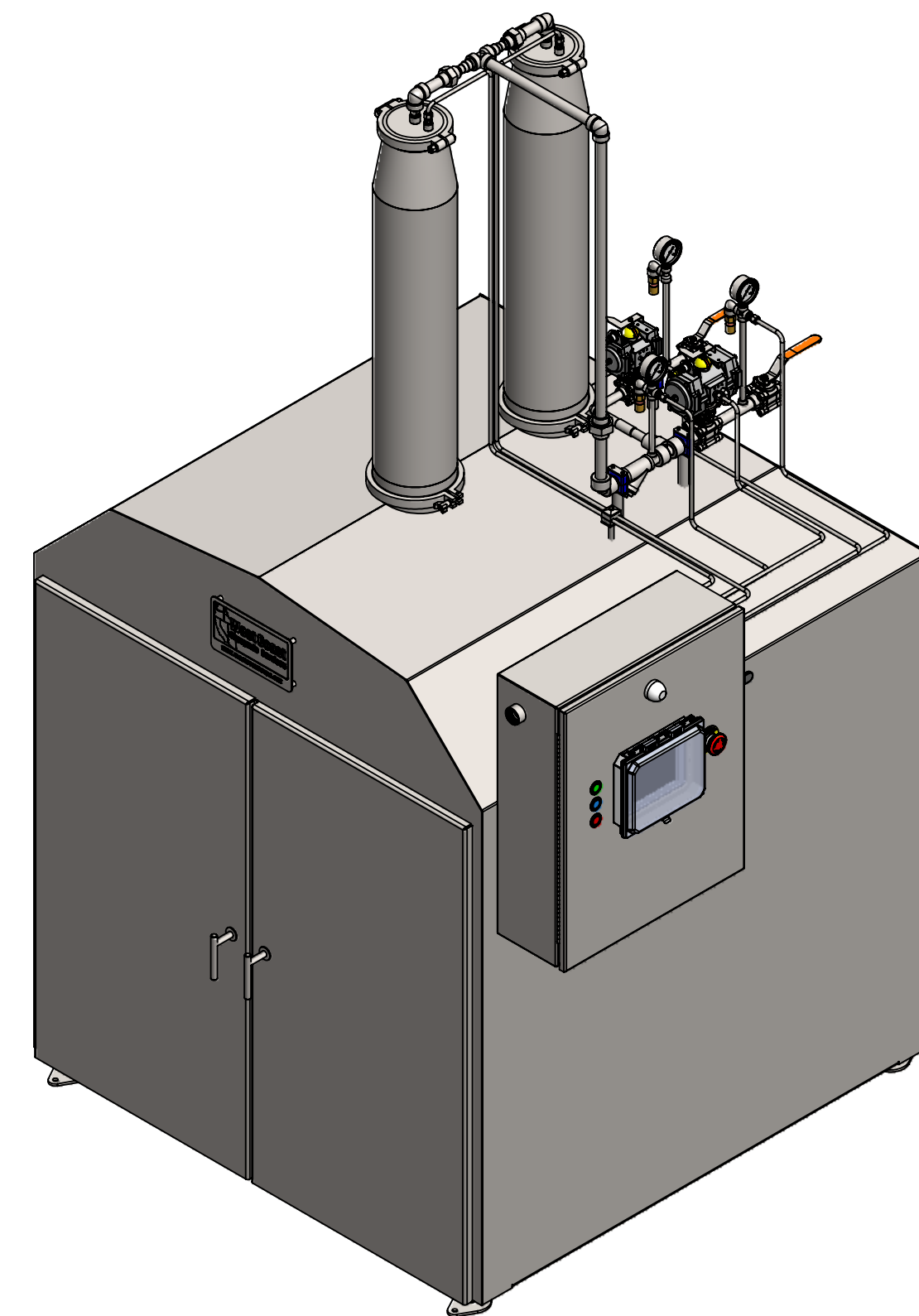
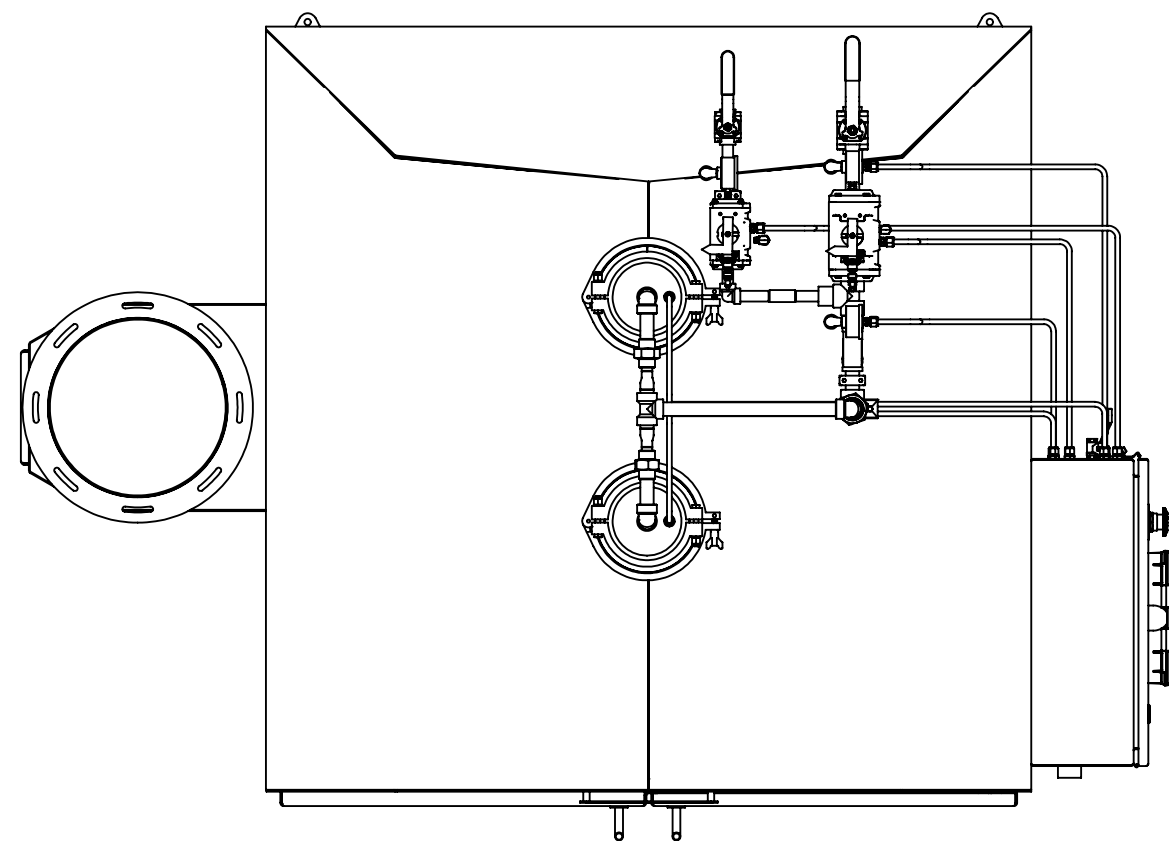
C

B

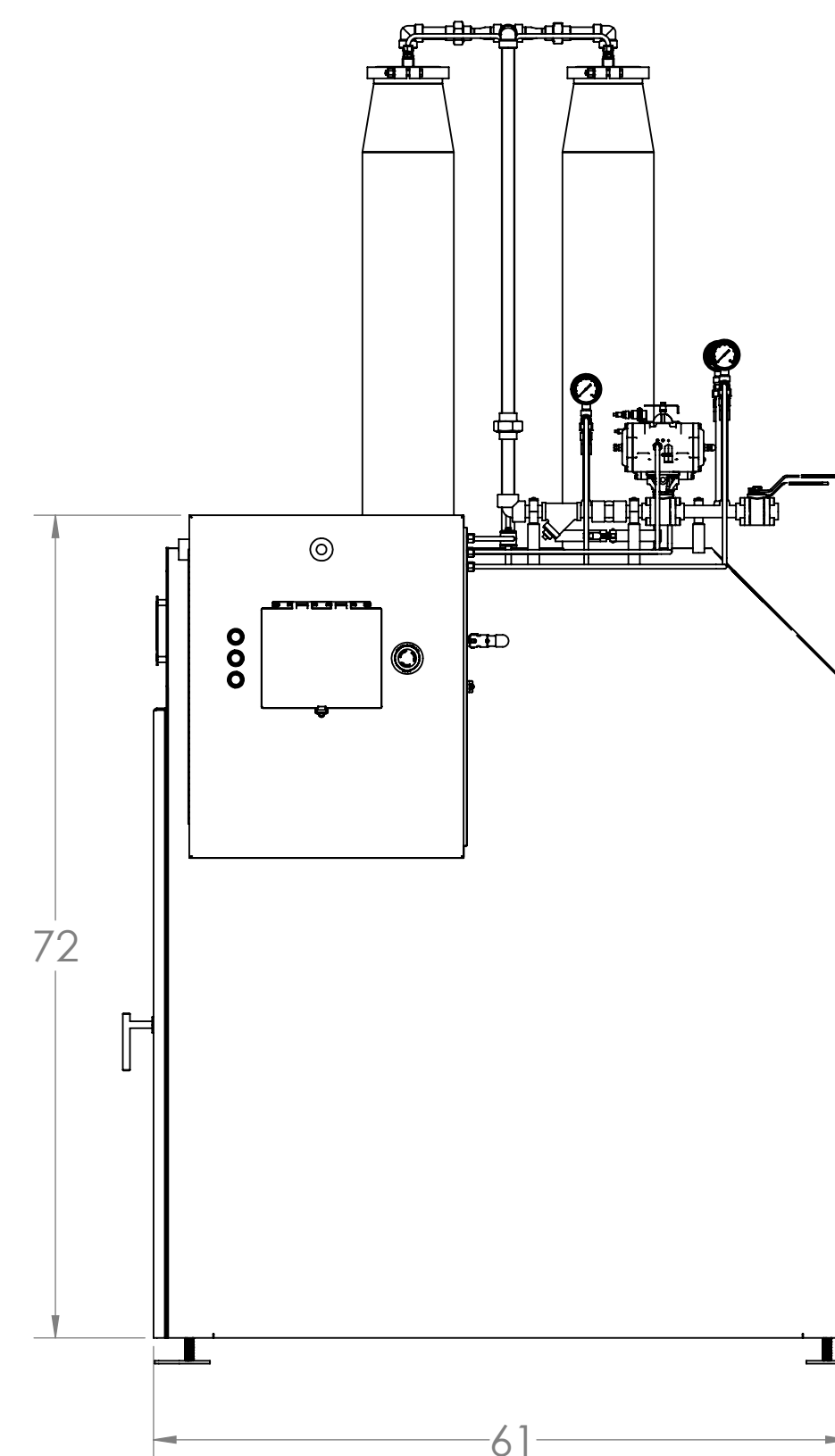
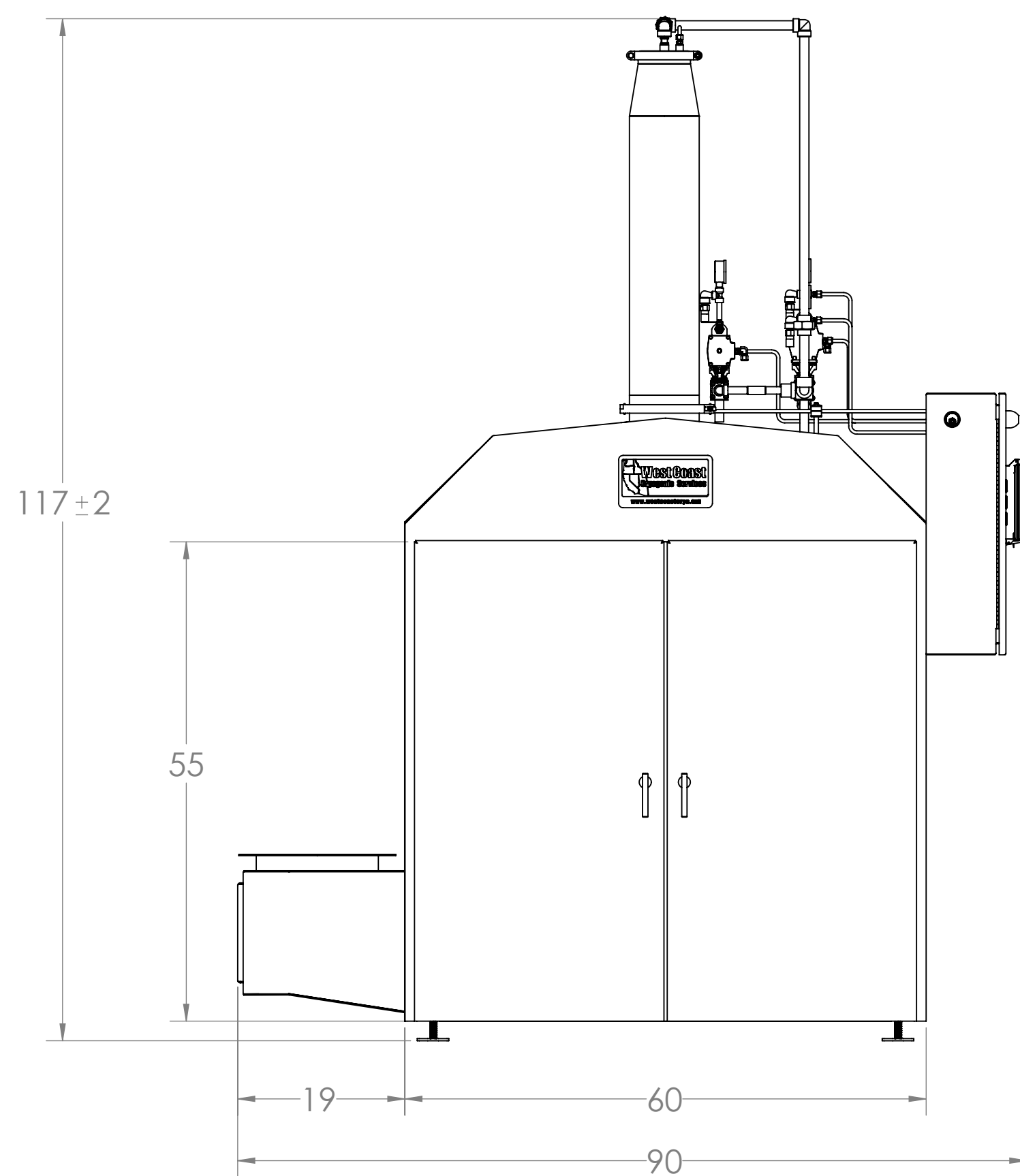
B

A

A



DOORS NOT SHOWN



**PROPRIETARY AND CONFIDENTIAL**

THE INFORMATION CONTAINED IN THIS DRAWING IS THE SOLE PROPERTY OF WEST COAST CRYOGENIC SERVICES, INC. ANY REPRODUCTION IN PART OR AS A WHOLE WITHOUT THE WRITTEN PERMISSION OF WEST COAST CRYOGENIC SERVICES, INC. IS PROHIBITED.

UNLESS OTHERWISE SPECIFIED: DIMENSIONS ARE IN INCHES

TOLERANCES:  
 FRACTIONAL ± 1/32"  
 ANGULAR ± 0°, 30"  
 .X ± .030"  
 .XX ± .015"  
 .XXX ± .010"

**MATERIAL:**

**FINISH:**

**QUANTITY:**

DO NOT SCALE DRAWING

**SNOW GENERATOR, LARGE**



WEST COAST CRYOGENIC SERVICES, INC.  
 503 W. LARCH RD., STE. K  
 TRACY, CA 95304  
 1-800-657-0545

**DWG NO.**

**DRAWN**

**JOB NUMBER**

WEIGHT: (LBS) 1164

**SGL-28-1B0**

P.VANCAS

01/27/20

**CUSTOMER**

SCALE: 1:15

REV 1

SIZE D

SHEET 1 OF 1

8

7

6

5

4

3

2

1