

8

7

6

5

4

3

2

1

D

D

C

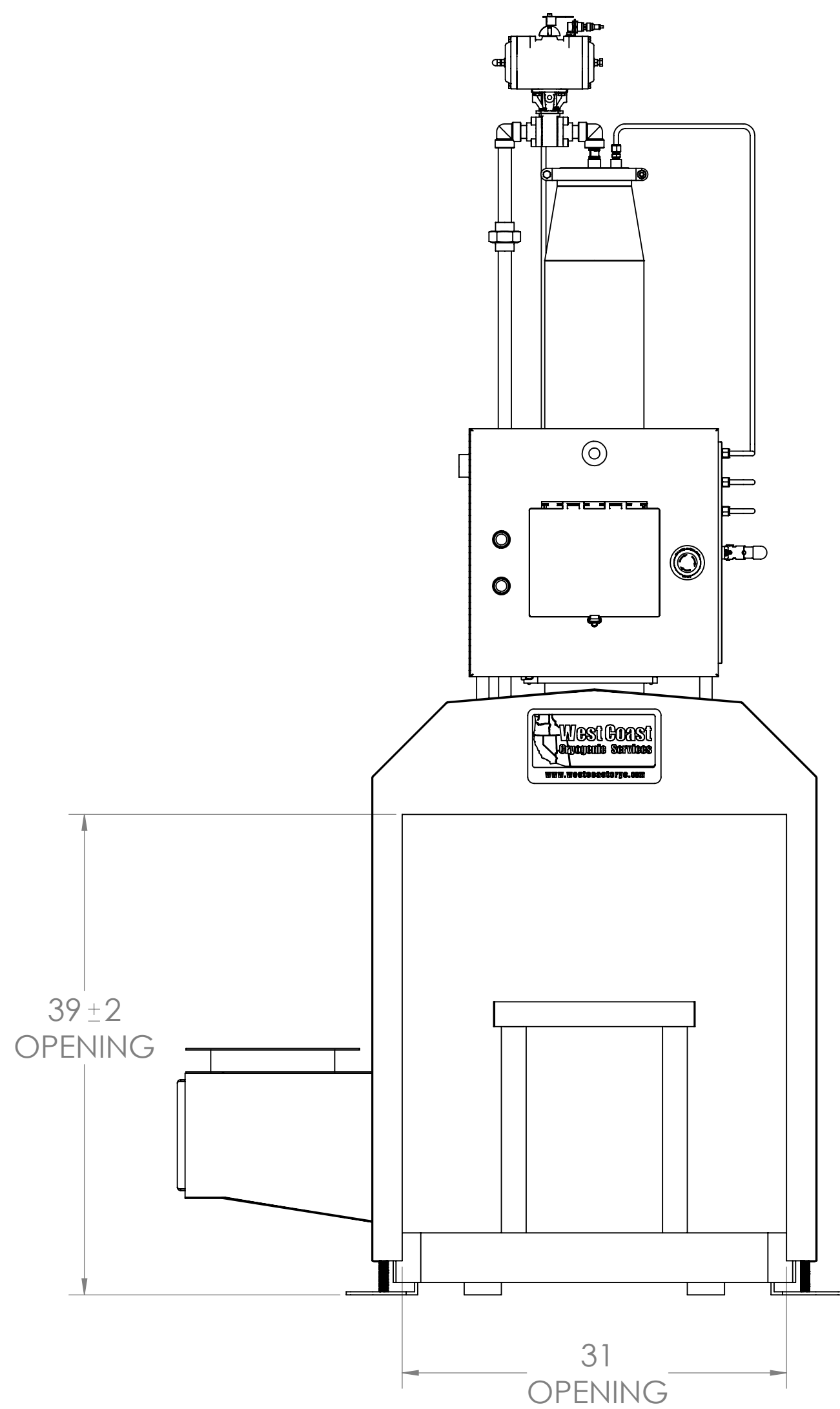
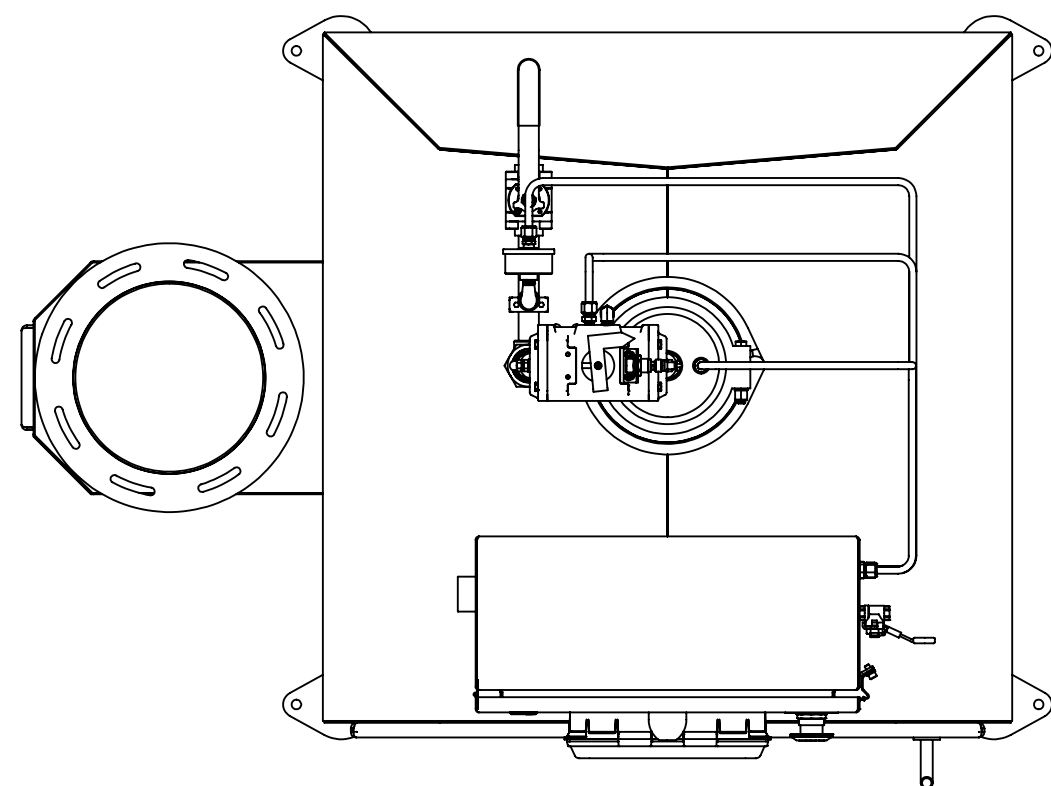
C

B

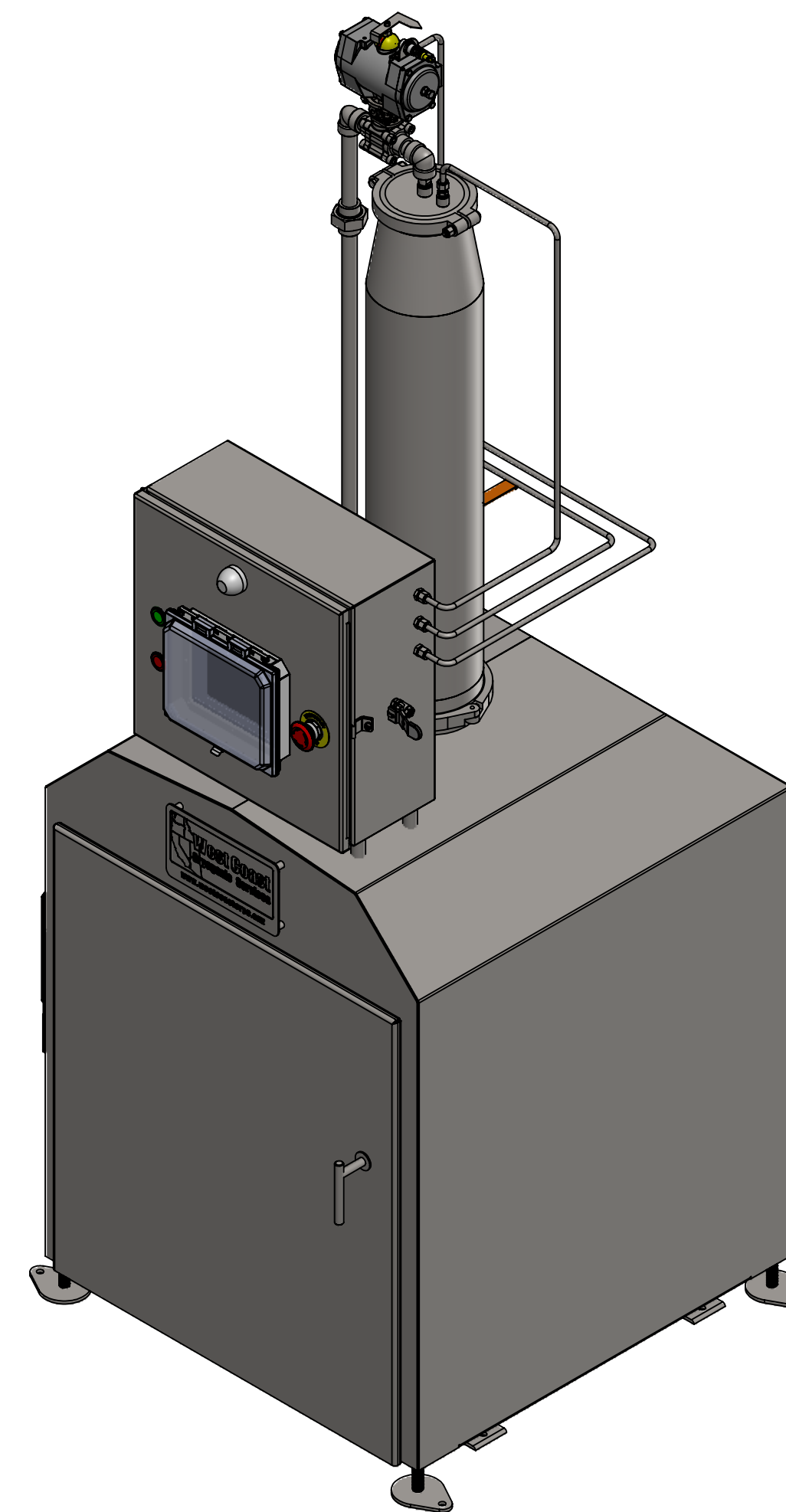
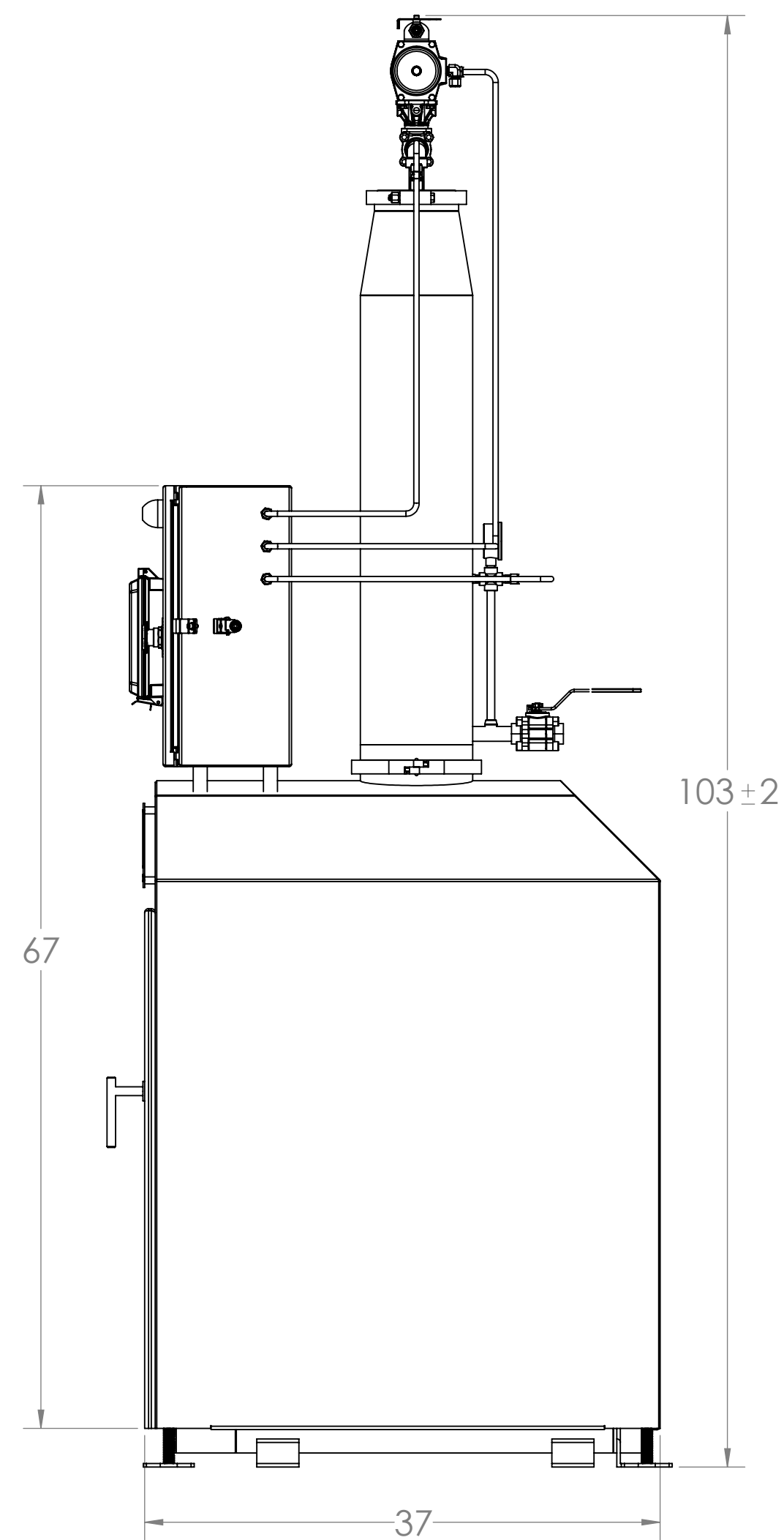
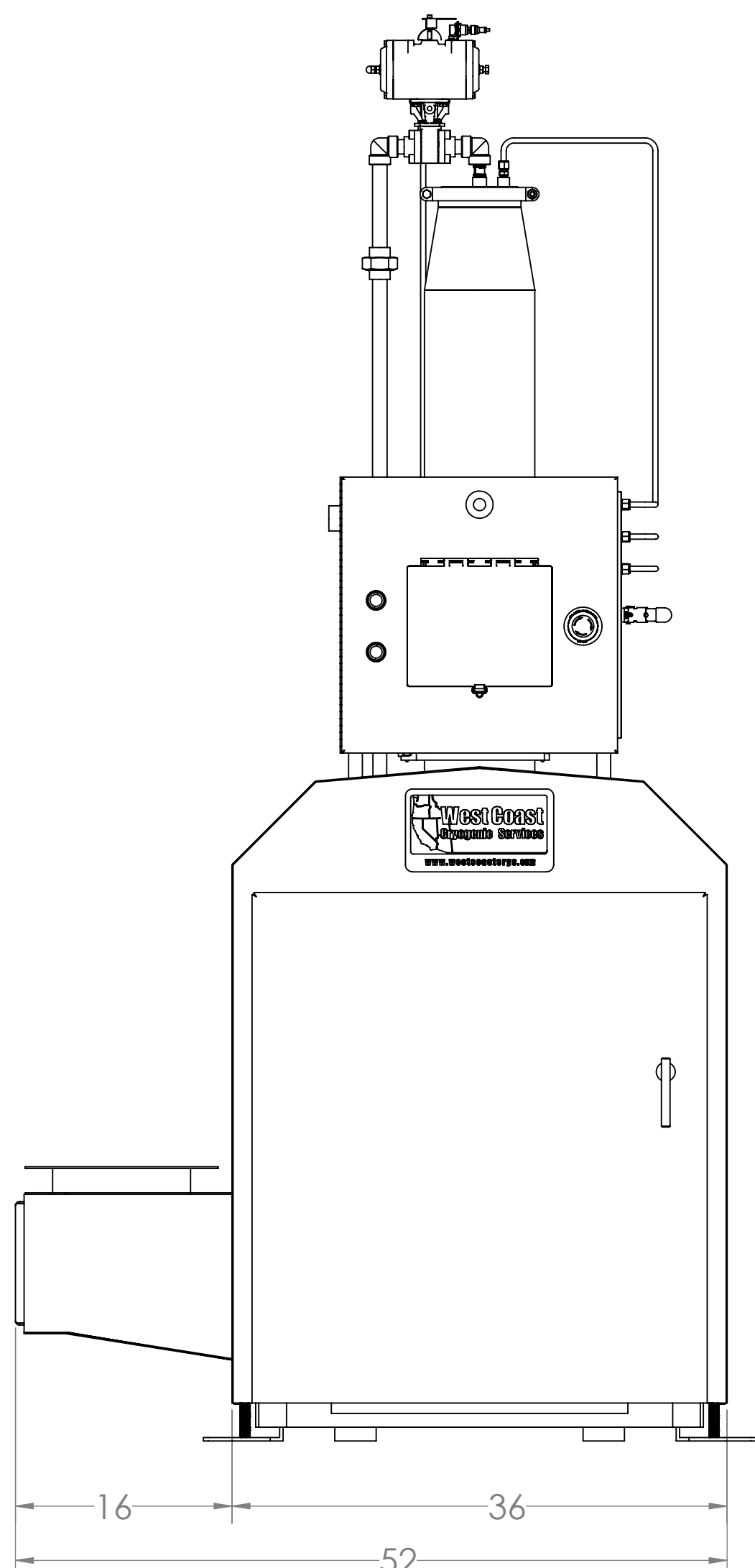
B

A

A



DOOR NOT SHOWN



PROPRIETARY AND CONFIDENTIAL

THE INFORMATION CONTAINED IN THIS DRAWING IS THE SOLE PROPERTY OF WEST COAST CRYOGENIC SERVICES, INC. ANY REPRODUCTION IN PART OR AS A WHOLE WITHOUT THE WRITTEN PERMISSION OF WEST COAST CRYOGENIC SERVICES, INC. IS PROHIBITED.

UNLESS OTHERWISE SPECIFIED: DIMENSIONS ARE IN INCHES

TOLERANCES:
 FRACTIONAL ± 1/32"
 ANGULAR ± 0°, 30"
 .X ± .030"
 .XX ± .015"
 .XXX ± .010"

MATERIAL:

FINISH:

QUANTITY:

DO NOT SCALE DRAWING

SNOW GENERATOR, SMALL



WEST COAST CRYOGENIC SERVICES, INC.
 503 W. LARCH RD., STE. K
 TRACY, CA 95304
 1-800-657-0545

DWG NO.

DRAWN

JOB NUMBER

WEIGHT: (LBS)

SGS-18-1B0

P.VANCAS

01/28/20

CUSTOMER

SCALE: 1:10

REV 1

SIZE D

SHEET 1 OF 1

8

7

6

5

4

3

2

1